

Canon

**Cleaning and
Disinfection Guide
for
NM Scanner**

CANON MEDICAL SYSTEMS CORPORATION

© CANON MEDICAL SYSTEMS CORPORATION 2020
ALL RIGHTS RESERVED

5.3 Cleaning and Disinfection

After operating the unit, clean the unit, optional units, and the room.

If disinfection is required due to the presence of blood etc., perform thorough disinfection following the procedures described in this subsection.

DANGER

This system is not explosion-proof. Therefore, do not use flammable or explosive gases near the system. If flammable or explosive gases enter the system, a fire or explosion may occur.

- * After cleaning or disinfection, ventilate the room sufficiently before turning ON the power supply.

WARNING

1. Ensure safety whenever the customer carries out maintenance and checks.
 - * Be sure to turn OFF the power supply of the system before cleaning and disinfection. If the system power is ON, switches may be activated accidentally, resulting in personal injury.
2. Follow the instructions below to prevent unnecessary exposure to radiation when handling a radioactive source. Contact your service representative for details.
 - * Conduct a radiation leak inspection at the predetermined intervals if required to do so by national or local regulation.
 - * Be sure to store the radioactive source using the specified storage method. Do not bring it out from the storage location except when absolutely necessary.
 - * During work involving the radioactive source, do not permit anyone other than the person who will perform the work to enter the scanning room.
 - * The person handling the radioactive source must wear protective clothes and/or use protective devices to prevent unnecessary exposure to radiation.
 - * When a radioactive source is delivered, keep all the packing materials. Use these packing materials to dispose of or transport the source, or to return the source to the supplier.
 - * If a radiation leak from the radioactive source is detected, take appropriate measures, including repair and disposal of the source, as specified by national or local regulations.
 - * When a radioactive source is to be disposed of, observe the relevant national or local regulations.

- * Usually, do not turn OFF the distribution board/power distributor.

⚠ CAUTION

This system is not designed to be used for disinfection or sterilization based on the classification of Spaulding's level of disinfection.

When the system or the optional devices are stained with blood and disinfection is required, read the handling instructions for the disinfectant to be used, fully understand the precautions required and its characteristics before using it, and disinfect the unit, accessories, and options according to the instructions of the hospital's infection control officer.

CAUTION

When cleaning or disinfecting the system, take care not to damage the system.

If a change appears in the system after disinfection, stop using the system and contact your service representative for repair.

- * Use only the specified disinfectants for sterilization in the specified manner and frequency. Failure to do so may result in discoloration or cracking of the surface finish, or in damage to rubber or plastic parts.
- * Do not clean the unit with organic solvents (such as paint thinner) or abrasive cleansers because they may cause damage or discoloration.

5.3.1 Cleaning

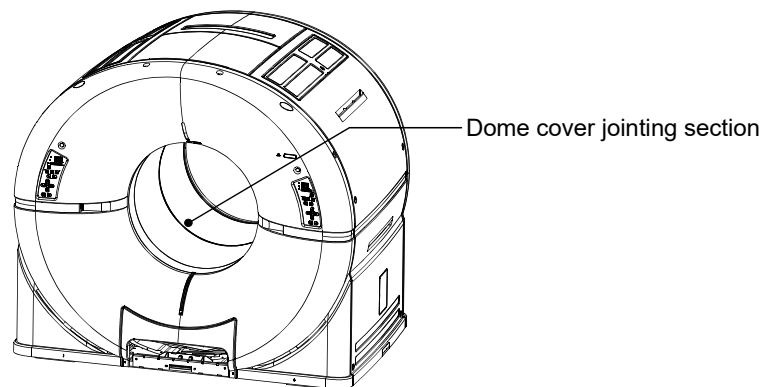
(1) Cleaning of the unit

Wipe off stains with a soft cloth moistened with mild detergent.

- Dilute mild detergent to the concentration specified by the manufacturer.
- Moisten a soft cloth with the diluted detergent, and then wring it out firmly so that the detergent does not drip from the cloth.
- Wipe off stains, then wipe the unit again using a dry soft cloth.

(a) Cleaning of the dome cover joining section

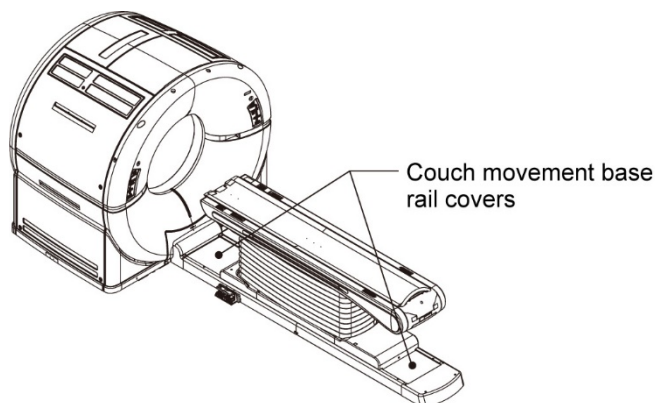
If it is necessary to clean the dome cover joining section, contact your service representative.



(b) Cleaning of covers of the couch movement base rails

Confirm that there are no objects on the covers of the couch movement base rails on which the patient couch runs.

Any foreign object found should be removed.



(2) Cleaning of the room

Remove dust from the room using a vacuum cleaner.
When scrubbing the floor, use a tightly wrung out mop or cloth so that water does not drip.

5.3.2 Disinfection

When the system or the optional devices are stained with blood and disinfection is required, follow the procedures outlined below.

Read the handling instructions for the disinfectant to be used, and fully understand the precautions required and its characteristics before using it.

Disinfect the unit, accessories, and options according to the instructions of the hospital's infection control officer.

- (1) Recommended disinfectants : Disinfectants that can and cannot be used for **Celesteion** are listed below.

<Disinfectants that can be used>

- Benzalkonium chloride
- Ethanol for disinfection
(Do not use on parts made of synthetic rubber or synthetic resin.)

<Disinfectants that cannot be used>

- Disinfectants that are excessively corrosive to metal or rubber such as chlorine-based disinfectants, or disinfectants which warn against use on metal, plastic, rubber, or coatings.
- Disinfectants that may enter the unit such as formalin gas or spray-type agents

- (2) Disinfection procedures : Wipe off the surface of the unit with a cloth moistened with the disinfectant and tightly wrung out. Be careful not to allow disinfectant to enter the unit.